



LIGHTINGDESIGN

Spotlights

GALATEA TP



GALATEA TP

Art. 5252.C.2700.9

Recessed spot for interiors and exteriors

Reflector / Lens

Standard lens 31° Lens 13° Elliptical lens 21°-14° Lens 23°

Finish

.C Chromed

Typology

Power LED

Colour Temperature

.2700 °K .3200 °K .4000 °K

LED Colours

.R Red White

Vdc

LED 10/30 VdC

DATA SHEET

Dimensions	Ø38 mm
Spigot	Ø34 mm

Interior and exterior spotlight brass ring with galvanic treatment, tempered glass, aluminium heatsink anodized, directional reflector/lens.



Ø 38

Ø 13,5

IP65

III

F

CE

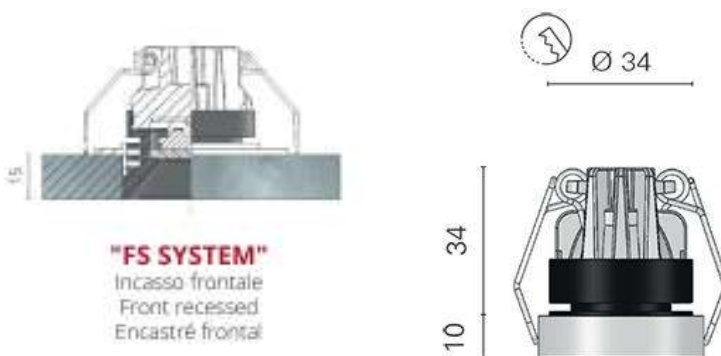
EXEMPT

Photobiological risk group EN 62471

CRI>90 Color rendering index

POWER LED	VDC	WATT	DIMMER	Colour Temp.	Lens
5252.C.2700.9	10/30	3	6018	2700 °K	Standard 31°
5252.C.3200.9	10/30	3	6018	3200 °K	Standard 31°
5252.C.4000.9	10/30	3	6018	4000 °K	Standard 31°

5252.C.R	10/30	3	6018		Standard 31°
5252.C.2700.9M	10/30	3	6018	2700 °K	23°
5252.C.3200.9M	10/30	3	6018	3200 °K	23°
5252.C.4000.9M	10/30	3	6018	4000 °K	23°
5252.C.4000.9N	10/30	3	6018	2700 °K	13°
5252.C.4000.9N	10/30	3	6018	3200 °K	13°
5252.C.4000.9N	10/30	3	6018	4000 °K	13°
5252.C.2700.9EL	10/30	3	6018	2700°K	Elliptical 21°-14°
5252.C.3200.9EL	10/30	3	6018	3200°K	Elliptical 21°-14°
5252.C.4000.9EL	10/30	3	6018	4000°K	Elliptical 21°-14°



ACCESSORIES



6018
DIMMER

30 OTHER PRODUCTS IN THE SAME CATEGORY:



5037
SEXTANS BIG QB



5070
SEXTANS S



5160
SEXTANS SMALL TT



5057
SEXTANS BIG B



5050
SEXTANS B



5082
SEXTANS QS



5165
SEXTANS SMALL QT



5000
SEXTANS R



5010
SEXTANS L



5030
SEXTANS C



5065
SEXTANS P



5060
SEXTANS I



5020
SEXTANS F



5035
NORMA S



5085
NORMA Q



8520

OCTANS BOREALIS Q

**8530**

OCTANS BOREALIS C

**5040**

OCTANS Q

**5090**

OCTANS C

**8500**

LIBRA AUSTRALIS

**8510**

LIBRA BOREALIS

**8540**

PHOENIX A

**8541**

PHOENIX AV

**8545**

PHOENIX B

**8546**

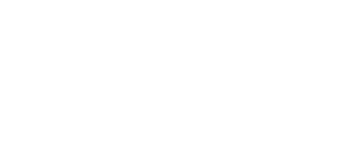
PHOENIX BV

**8560**

KEPLERO I

**8561**

KEPLERO II





8562
KEPLERO III




8565
COPERNICO I



8566
COPERNICO II

Foresti&Suardi S.p.A.

 Via Sarnico 32/a 24060 Predore (BG) Italy

 Call us now: +39.035.938.066

 Email: info@forestisuardi.it

Cap. Soc. €.500.000 i.v. - Nr. REA 291108

Cod. Fis. e P.Iva N. IT02462580164

Copyright © 2015 Foresti & Suardi Accessori Nautici.

Tutti i diritti riservati