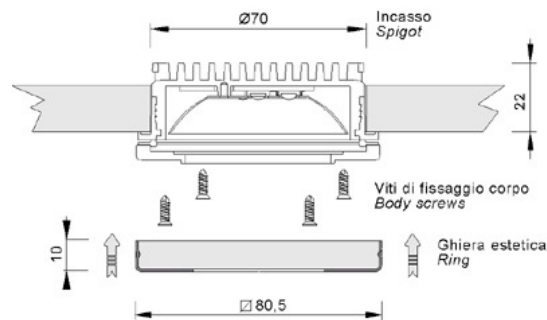


## Hydra

Lights for exterior applications.



Techno-polymer body..  
 Silicone gasket for the glass..  
 Satiny, tempered White glass..  
 Techno-polymer flange..  
 AISI 316 L ring..  
 Aluminium heatsink.  
 Inside screws in stainless steel. .  
 Directional reflector aluminium metallised .  
 Supplied with LED power module 3x1W and  
 integrated regulator .  
 Supplied upon request with LEDs modulus  
 white and red, white and blue.  
 White colour 3200 °K degree.  
 Suitable for mounting on normally flammable  
 surfaces .  
 Can be supplied upon request with white Leds  
 4000 °K.



Art.	Finitura-Finish	Colore-Colour LED
<b>6020.I.BCO</b>	Inox lucido <i>Polished stainless steel</i>	Bianco-White 3200 K°