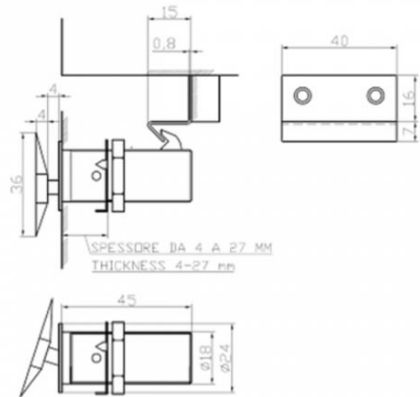




Code 8004 Installation



8004 Flush Lock

This line of cupboard and drawer catches is an evolution of the classic push button.

With only one moving part and no additional mechanism it is strong, durable and beautiful.

Fits panel thicknesses from 4 to 27mm
 Made from stainless steel and chromed brass
 Can also be covered in leather
 Available in 4 designs
 Design by Giangi Razeto.

Please note, the latch front is made of polished 316 grade stainless steel, and the rear mechanism is constructed from chrome plated brass.

- Length (mm) 53.00
- Recess Diameter (mm) 18.00
- Flange Diameter (mm) 24.00
- Max. Panel Thickness (mm) 27.00
- Finish 316 Stainless Steel
- Weight (kg) 0.10

