



Features

Front plate is made of stainless steel 304.

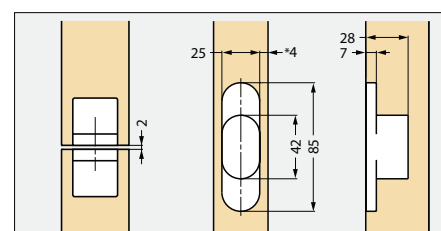
Remarks

- For using 3 pcs per one door, distance between top hinge and centre hinge must be 200 mm.
- Distance between door edge and hinge (marked * on below drawings) must be less than 4 mm.

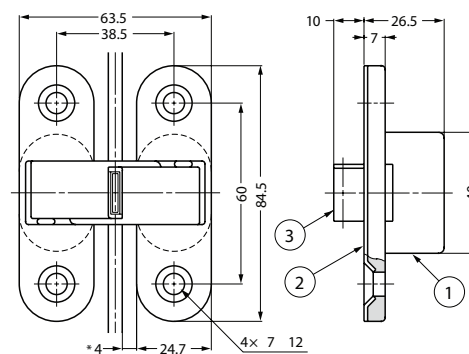
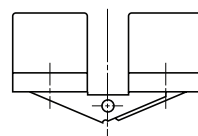
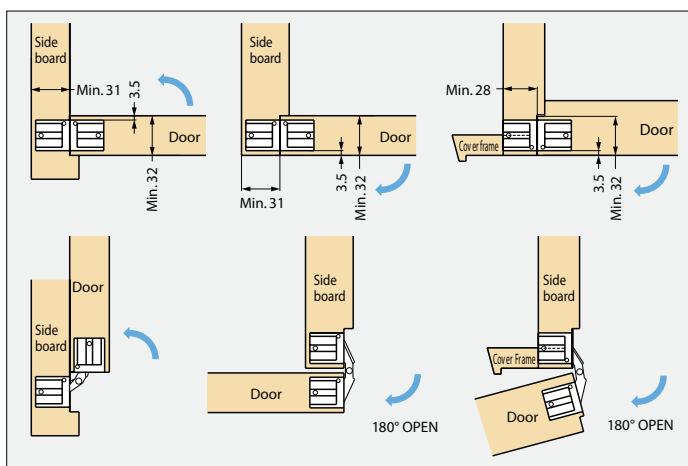
Recommended Screw

Countersunk head wood screw 5.8

Cut Out Dimensions



Installation



No.	Part Name	Material	Finish
①	Body	Polyamide (PA)	-
②	Front Plate	Stainless Steel (SUS304)	Satin
③	Arm	Stainless Steel (SUS304)	-

Item Code	Item Name	Door Width	Door Height	Door Weight		Opening Angle	Weight	Box	Carton
170-095-018	*1 INO-66N	Max. 800	Max. 2100	Max. 30 kg/2 pcs	Max. 50 kg/3 pcs	180°	100 g	24 pcs	144 pcs

*1 Item name has been revised. (Old item name : I-66)

