

Vimar - 16080.B - 1P NO 10A push general symbol white

Code	16080.B
Family	Idea / Devices / Basic devices
Description	1P NO 10A push general symbol white
Long Description	1P NO 10 A 250 V~ push button , general symbol, white
Product Status	3 - Active
Minimum order quantity	50 NR



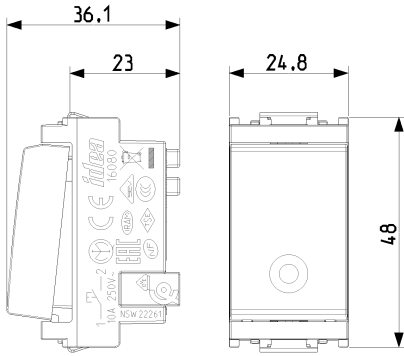
Certifications

- 01. IMQ - Italy ([download](#))
- 04. NF - France ([download](#))
- 05. SEV - Switzerland ([download](#))
- 09. VDE - Germany ([download](#))
- 10. EAC Eurasian Customs Union
- 14. TSE - Turkey ([download](#))
- 15. CCC - China ([download](#))
- 19. NOM - Mexico
- 20. IRAM - Argentina
- 23. INMETRO - Brazil ([download](#))
- 28. NSW / RCM - Australia ([download](#))
- 37. Marking - Morocco
- 96. Electrotechnical expert ([download](#))

99. WEEE Directive ([download](#))

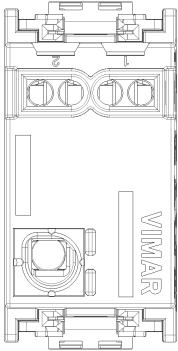
Drawings

SPACE VIEW



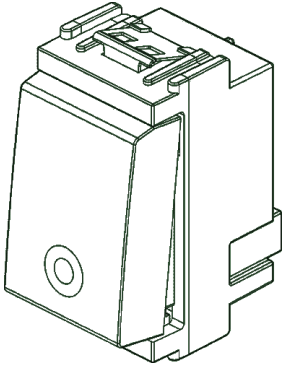
[download.png](#) - [download.dxf](#)

BACKSIDE VIEW



[download.png](#) - [download.dxf](#)

3D VIEW



[download.png](#) - [download.dxf](#)

Technical data

Class group: Domestic switching devices

Class: Push-switch button

Assembly arrangement: Modular device for domestic switching devices

Model: Single push button

Method of operation: Push button

Contacts: 1 make contact (NO)

Number of poles: 1

Feedback-signal contact: No

Number of rockers: 1

Number of modules (module syst): 1

With lighting: No

Mounting method: Flush mounted (plaster)

Type of fastening: Engage (snap)

Material: Plastic

Material quality: Thermoplastic

Halogen free: Yes

Surface protection: Untreated

Surface finishing: Matt

Colour: White

RAL-number (akin): 9001

Transparent: No

Label space/information surfac: Yes

Suitable for degree of protect: IP40

Nominal voltage: 250 v

Rated current: 10,00 A

Width of device: 24,80 mm

Height of device: 50,10 mm

Depth of device: 36,10 mm

Packaging



8 007352 048263

Code 8007352048263

Quantity 1 NR

Dim. 4.1x2.8x5.3 [cm]

Weight 24.61 [g]



8 007352 048843

Code 8007352048843

Quantity 50 NR

Dim. 21.4x11.6x14.2
[cm]

Weight 1,321.47 [g]



8 007352 641464

Code 8007352641464

Quantity 500 NR

Dim. 57.5x22.5x30
[cm]

Weight 14,570 [g]

Share



Legal

Vimar reserves the right to change at any time and without notice the characteristics of the products reported.

Installation should be carried out by qualified staff in compliance with the current regulations regarding the installation of electrical equipment in the country where the products are installed.

For the terms of use of the information on the product info sheet see [conditions of use](#).