

Vimar - 16080 - 1P NO 10A push general symbol grey

Code	16080
Family	Idea / Devices / Basic devices
Description	1P NO 10A push general symbol grey
Long Description	1P NO 10 A 250 V~ push button, general symbol, grey
Product Status	3 - Active
Minimum order quantity	50 NR



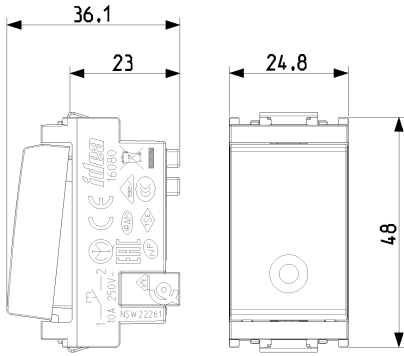
Certifications

- 01. IMQ - Italy ([download](#))
- 04. NF - France ([download](#))
- 05. SEV - Switzerland ([download](#))
- 09. VDE - Germany ([download](#))
- 10. EAC Eurasian Customs Union
- 14. TSE - Turkey ([download](#))
- 15. CCC - China ([download](#))
- 19. NOM - Mexico
- 20. IRAM - Argentina
- 23. INMETRO - Brazil ([download](#))
- 28. NSW / RCM - Australia ([download](#))
- 37. Marking - Morocco
- 96. Electrotechnical expert ([download](#))

99. WEEE Directive ([download](#))

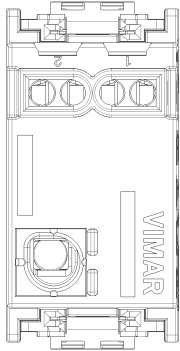
Drawings

SPACE VIEW



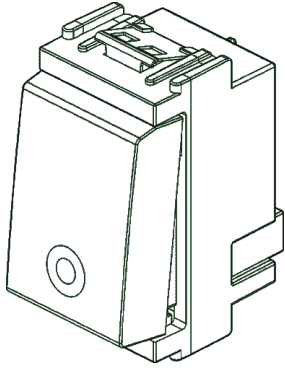
[download.png](#) - [download.dxf](#)

BACKSIDE VIEW



[download.png](#) - [download.dxf](#)

3D VIEW



[download.png](#) - [download.dxf](#)

Technical data

Class group: Domestic switching devices

Class: Push-switch button

Assembly arrangement: Modular device for domestic switching devices

Model: Single push button

Method of operation: Push button

Contacts: 1 make contact (NO)

Number of poles: 1

Feedback-signal contact: No

Number of rockers: 1

Number of modules (module syst): 1

With lighting: No

Mounting method: Flush mounted (plaster)

Type of fastening: Engage (snap)

Material: Plastic

Material quality: Thermoplastic

Halogen free: Yes

Surface protection: Untreated

Surface finishing: Matt

Colour: Grey

RAL-number (akin): 7015

Transparent: No

Label space/information surfac: Yes

Suitable for degree of protect: IP40

Nominal voltage: 250 v

Rated current: 10,00 A

Width of device: 24,80 mm

Height of device: 50,10 mm

Depth of device: 36,10 mm

Packaging



8 007352 002838

Code 8007352002838

Quantity 1 NR

Dim. 4.1x2.8x5.3 [cm]

Weight 24.6 [g]



8 007352 000070

Code 8007352000070

Quantity 50 NR

Dim. 21.4x11.6x14.2
[cm]

Weight 1,325 [g]



8 007352 263185

Code 8007352263185

Quantity 500 NR

Dim. 57.5x22.5x30
[cm]

Weight 13,710 [g]

Share



Legal

Vimar reserves the right to change at any time and without notice the characteristics of the products reported.

Installation should be carried out by qualified staff in compliance with the current regulations regarding the installation of electrical equipment in the country where the products are installed.

For the terms of use of the information on the product info sheet see [conditions of use](#).