

Vimar - 16155.B - 2P 10A 2-way push button white

Code	16155.B
Family	Idea / Devices / Devices - other functions
Description	2P 10A 2-way push button white
Long Description	2P 10 A 250 V~ 2-way push button (6 terminals) with directional arrows and central OFF position, white
Product Status	3 - Active
Minimum order quantity	10 NR

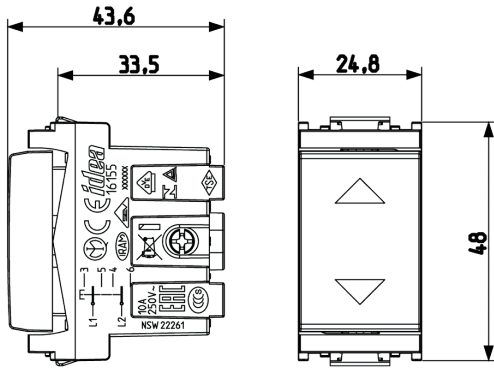


Certifications

- 01. IMQ - Italy ([download](#))
- 04. NF - France ([download](#))
- 05. SEV - Switzerland ([download](#))
- 09. VDE - Germany ([download](#))
- 10. EAC Eurasian Customs Union
- 14. TSE - Turkey ([download](#))
- 15. CCC - China ([download](#))
- 20. IRAM - Argentina
- 23. INMETRO - Brazil ([download](#))
- 28. NSW / RCM - Australia ([download](#))
- 37. Marking - Morocco
- 96. Electrotechnical expert ([download](#))
- 99. WEEE Directive ([download](#))

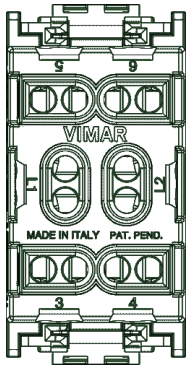
Drawings

SPACE VIEW



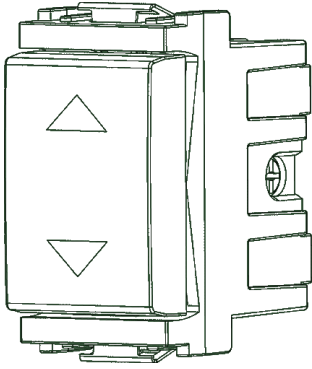
[download.png](#) - [download.dxf](#)

BACKSIDE VIEW



[download.png](#) - [download.dxf](#)

3D VIEW



[download.png](#) - [download.dxf](#)

Technical data

Class group: Domestic switching devices

Class: Push-switch button

Assembly arrangement: Modular device for domestic switching devices

Model: Single push button

Method of operation: Push button

Contacts: 2 change-over contacts

Number of poles: 2

Feedback-signal contact: No

Number of rockers: 1

Number of modules (module syst): 1

With lighting: No

Mounting method: Flush mounted (plaster)

Type of fastening: Engage (snap)

Material: Plastic

Material quality: Thermoplastic

Halogen free: Yes

Surface protection: Untreated

Surface finishing: Matt

Colour: White

RAL-number (akin): 9001

Transparent: No

Label space/information surfac: Yes

Suitable for degree of protect: IP40

Nominal voltage: 250 v

Rated current: 10,00 A

Width of device: 24,80 mm

Height of device: 50,10 mm

Depth of device: 43,60 mm

Packaging



8 007352 049215

Code 8007352049215

Quantity 1 NR

Dim. 5.1x2.8x5.3 [cm]

Weight 42.67 [g]



8 007352 264137

Code 8007352264137

Quantity 10 NR

Dim. 14.4x11.6x6 [cm]

Weight 470 [g]



8 007352 647367

Code 8007352647367

Quantity 120 NR

Dim. 36.5x33x13.5
[cm]

Weight 6,060 [g]

Share



Legal

Vimar reserves the right to change at any time and without notice the characteristics of the products reported.

Installation should be carried out by qualified staff in compliance with the current regulations regarding the installation of electrical equipment in the country where the products are installed.

For the terms of use of the information on the product info sheet see [conditions of use](#).