

Vimar - 16292.B - USB supply unit 5V 1,5A 1M white

Code	16292.B
Family	Idea / Devices / USB power units
Description	USB supply unit 5V 1,5A 1M white
Long Description	5 V 1,5 A power supply unit for electronic devices, 1 USB port, supply voltage 120-230 V~ 50/60 Hz, white
Product Status	3 - Active
Minimum order quantity	1 NR



Sheets, Manuals

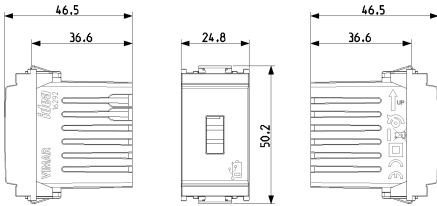
[FI - Instructions sheet \(831 kb\)](#)

Certifications

- 00. CE Marking - EU
- 01. IMQ - Italy
- 19. NOM - Mexico
- 37. Marking - Morocco
- 99. WEEE Directive ([download](#))

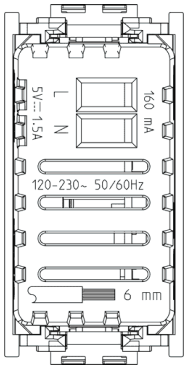
Drawings

SPACE VIEW



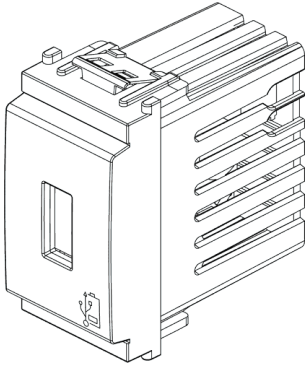
[download.png](#) - [download.dxf](#)

BACKSIDE VIEW



[download.png](#) - [download.dxf](#)

3D VIEW



[download.png](#) - [download.dxf](#)

Technical data

Class group: Domestic switching devices

Class: USB power supply

Model: Bus

Number of outputs: 1

Operating voltage: 120 - 230 v

Frequency: 50 - 60 HZ

Max. output current: 1.500 mA

Output voltage: 5 v

Mounting method: Flush mounted (plaster)

Colour: Grey

RAL-number: 0

Packaging



8 007352 573864

Code 8007352573864

Quantity 1 NR

Dim. 6x2.8x5.3 [cm]

Weight 43.5 [g]



8 007352 573871

Code 8007352573871

Quantity 10 NR

Dim. 14.4x13.1x6 [cm]

Weight 482.8 [g]

Share



Legal

Vimar reserves the right to change at any time and without notice the characteristics of the products reported.

Installation should be carried out by qualified staff in compliance with the current regulations regarding the installation of electrical equipment in the country where the products are installed.

For the terms of use of the information on the product info sheet see [conditions of use](#).