

## Vimar - 16292 - USB supply unit 5V 1,5A 1M grey

---

<b>Code</b>	16292
<b>Family</b>	Idea / Devices / USB power units
<b>Description</b>	USB supply unit 5V 1,5A 1M grey
<b>Long Description</b>	5 V 1,5 A power supply unit for electronic devices, 1 USB port, supply voltage 120-230 V~ 50/60 Hz, grey
<b>Product Status</b>	3 - Active
<b>Minimum order quantity</b>	1 NR



## Sheets, Manuals

---

[FI - Instructions sheet \(831 kb\)](#)

## Certifications

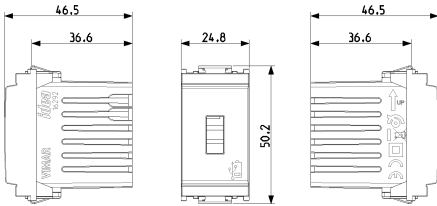
---

- 00. CE Marking - EU
- 01. IMQ - Italy
- 19. NOM - Mexico
- 37. Marking - Morocco
- 99. WEEE Directive ([download](#))

## Drawings

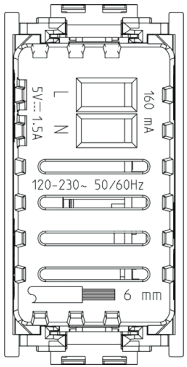
---

### SPACE VIEW



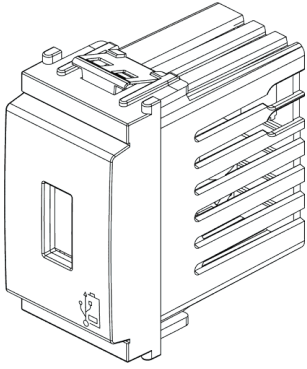
[download.png](#) - [download.dxf](#)

### BACKSIDE VIEW



[download.png](#) - [download.dxf](#)

### 3D VIEW



[download.png](#) - [download.dxf](#)

## Technical data

---

**Class group:** Domestic switching devices

**Class:** USB power supply

**Model:** Bus

**Number of outputs:** 1

**Operating voltage:** 120 - 230 v

**Frequency:** 50 - 60 HZ

**Max. output current:** 1.500 mA

**Output voltage:** 5 v

**Mounting method:** Flush mounted (plaster)

**Colour:** Grey

**RAL-number:** 0

## Packaging

---



8 007352 573840

**Code** 8007352573840

**Quantity** 1 NR

**Dim.** 6x2.8x5.3 [cm]

**Weight** 43.5 [g]



8 007352 573857

**Code** 8007352573857  
**Quantity** 10 NR  
**Dim.** 14.4x13.1x6 [cm]  
**Weight** 485.3 [g]



8 007352 642225

**Code** 8007352642225  
**Quantity** 200 NR  
**Dim.** 50.5x20x28 [cm]  
**Weight** 10,140 [g]

Share

---



Legal

---

Vimar reserves the right to change at any time and without notice the characteristics of the products reported.

Installation should be carried out by qualified staff in compliance with the current regulations regarding the installation of electrical equipment in the country where the products are installed.

For the terms of use of the information on the product info sheet see [conditions of use](#).