

Vimar - 16542 - Blank module smooth front grey

Code	16542
Family	Idea / Accessories / Blank module and cable outlet
Description	Blank module smooth front grey
Long Description	Blank cover, smooth front, grey
Product Status	3 - Active
Minimum order quantity	100 NR

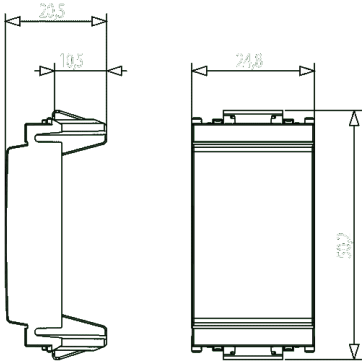


Certifications

- 01. IMQ - Italy ([download](#))
- 04. NF - France ([download](#))
- 09. VDE - Germany ([download](#))
- 15. CCC - China ([download](#))
- 96. Electrotechnical expert ([download](#))

Drawings

SPACE VIEW



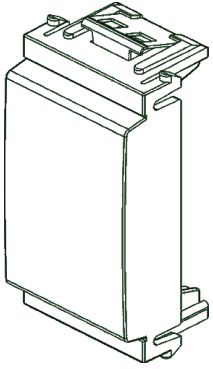
[download.png](#) - [download.dxf](#)

BACKSIDE VIEW



[download.png](#) - [download.dxf](#)

3D VIEW



[download.png](#) - [download.dxf](#)

Technical data

Class group: Domestic switching devices

Class: Push-switch button

Method of operation: Other

Feedback-signal contact: No

Number of modules (module syst): 1

Mounting method: Flush mounted (plaster)

Material: Plastic

Material quality: Thermoplastic

Halogen free: Yes

Surface protection: Untreated

Surface finishing: Matt

Colour: Grey

RAL-number (akin): 7015

Transparent: No

Label space/information surfac: Yes

Width of device: 24,80 mm

Height of device: 50,20 mm

Depth of device: 20,50 mm

Packaging



8 007352 082359

Code 8007352082359

Quantity 1 NR

Dim. 2.5x5x2 [cm]

Weight 5.77 [g]



8 007352 146051

Code 8007352146051

Quantity 10 NR

Dim. 31x5.2x2 [cm]

Weight 58.2 [g]



8 007352 083431

Code 8007352083431

Quantity 100 NR

Dim. 28.2x11.1x10
[cm]

Weight 677.8 [g]



8 007352 262782

Code 8007352262782

Quantity 1,000 NR

Dim. 57.5x22.5x30
[cm]

Weight 7,329.33 [g]



Code 8007352308596
Quantity 21,000 NR
Dim. 80x120x103 [cm]
Weight 167,000 [g]

Share



Legal

Vimar reserves the right to change at any time and without notice the characteristics of the products reported.

Installation should be carried out by qualified staff in compliance with the current regulations regarding the installation of electrical equipment in the country where the products are installed.

For the terms of use of the information on the product info sheet see [conditions of use](#).