

Vimar - 16771 - Frame 1M for panel mounting

Code	16771
Family	Idea / Mounting frames / For panels
Description	Frame 1M for panel mounting
Long Description	1-module mounting frame, screws, for panel mounting, grey
Product Status	3 - Active
Minimum order quantity	20 NR

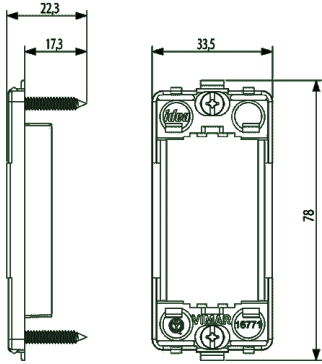


Certifications

- 01. IMQ - Italy ([download](#))
- 04. NF - France ([download](#))
- 09. VDE - Germany ([download](#))
- 15. CCC - China ([download](#))
- 37. Marking - Morocco
- 96. Electrotechnical expert ([download](#))

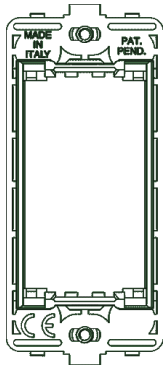
Drawings

SPACE VIEW



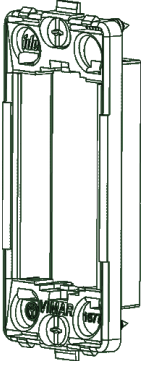
[download.png](#) - [download.dxf](#)

BACKSIDE VIEW



[download.png](#) - [download.dxf](#)

3D VIEW



[download.png](#) - [download.dxf](#)

Technical data

Class group: Domestic switching devices

Class: Holder for modular domestic switching de

Model: Flush mounted (plaster)

Mounting method: Mounting with screw

Mounting method of the module: Back side

Mounting direction: Horizontal and vertical

Number of modules horizontal (: 1

Number of modules vertical (mo: 1

With built-in installation box: No

With screws: Yes

Suitable for mounting in round: No

Suitable for flush-mounted ins: Yes

Suitable for floor box: No

Suitable for wall duct: No

Suitable for mounting on DIN-r: No

Material: Plastic

Material quality: Thermoplastic

Packaging



8 007352 082472

Code 8007352082472

Quantity 1 NR

Dim. 3.4x7.8x2.2 [cm]

Weight 8.53 [g]



Code 8007352083950

Quantity 20 NR

Dim. 18.8x13.8x7 [cm]

Weight 233.93 [g]

Share



Legal

Vimar reserves the right to change at any time and without notice the characteristics of the products reported.

Installation should be carried out by qualified staff in compliance with the current regulations regarding the installation of electrical equipment in the country where the products are installed.

For the terms of use of the information on the product info sheet see [conditions of use](#).