

100° Opening

19mm Overlay

**Overlay
15~19mm**

**Cup Dia ϕ 35 Bore Depth 11mm
Door Thickness 15~20mm**

Stainless Steel Mounting Plate 100 Series

CONCEALED HINGE (STAINLESS STEEL) 100



[Sold Separately]

- Stainless steel 100 series mounting plate 1

[Recommended Screws]

- M4 raised countersunk head screw

RoHS	CAD	Item Code	Item Name	Description	Material	Finish	Weight (g)	Box (pcs)
		160-073-865	100-46/19SUS304B	Without Catch	Stainless Steel	Polished	39.1	200
		160-073-870	100-C46/19SUS304B	With Catch	(SUS304)		44.1	200

A mounting plate (sold separately) is required for installation. Please order separately.

Picture above is the combination of concealed hinge and mounting plate (sold separately).

TORQUE HINGES

DAMPER HINGES

LIFT ASSIST HINGES

DETENT HINGES

CONCEALED HINGES

BUTT HINGES

PIANO HINGES

STEP HINGES

LIFT-OFF HINGES

PIVOT HINGES

SPRING HINGES

CLEAN ROOM HINGES

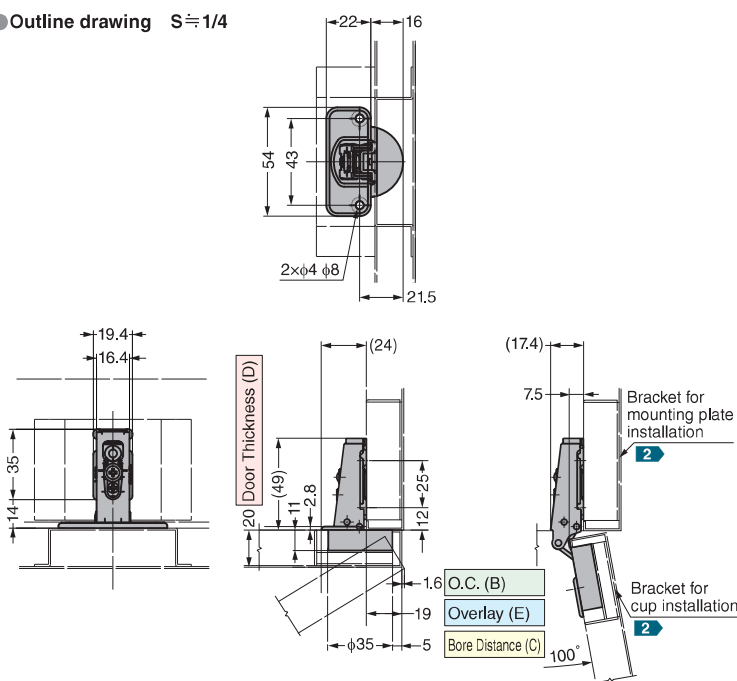
HINGES FOR ALUMINUM FRAME

DROP HINGES

GLASS DOOR HINGES

SPECIAL HINGES

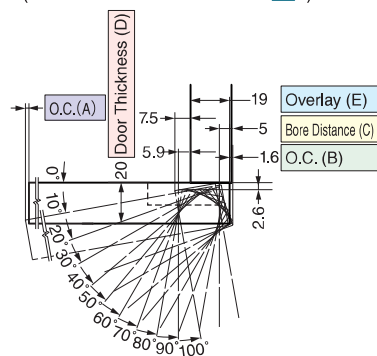
● Outline drawing S ≒ 1/4



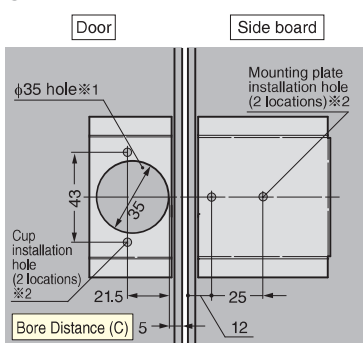
Picture above is the combination of 100-46/19 or 100-C46/19 (w/catch) and mounting plate 100-P3A (sold separately).

● Locus chart S ≒ 1/4

(How to Use the Locus Chart 3)



● Cut out dimensions For metal door



- ※1: Support the cup bottom at position of 11mm deep.
- ※2: Internal threads need to be made by welding nut or burring.

[Bore Distance (C)]

Table-1

Bore Distance (C)	3	4	5
Overlay (E)	17	18	19

For standard type shown in the table above mounting plate 0mm thickness.

Turning the overlay adjustment screw or using spacer (2mm thickness) to adjust overlay (Max. -3mm).

[Opening Clearance (O.C.)]

Clearances for door edge O.C. (A) and hinge side O.C. (B) are necessary. O.C. (A) and (B) change depending on door thickness and bore distance (C). Refer to locus chart and tables below when designing cabinets.

[O.C.(B)]

Table-2

Door Thickness (D)	Bore Distance (C)		
	3	4	5
15	0.5	0.5	0.4
16	0.6	0.6	0.6
17	0.9	0.8	0.8
18	1.1	1.1	1.0
19	1.4	1.3	1.3
20	1.7	1.6	1.6
21※	2.1	2.0	1.9
22※	2.5	2.4	2.3
O.C. (B)			

※Please refer to the locus chart if door thickness is over 20mm. (O.C. (B) can be made smaller by R chamfering (round chamfer) and C chamfering (chamfer plane) on the door.

[O.C.(A)]

Table-3

Door Thickness (D)	O.C. (A)			
	Door Width 300	Door Width 400	Door Width 500	Door Width 600
20	0.2	0.1	0.1	0.1

[Door Dimensions and Number of Hinges] 4

Refer to 1 : P.117, 2 : P.131, 3 : P.111, 4 : P.110

100° Opening

14mm Overlay

Overlay
10~14mm

Cup Dia ϕ 35 Bore Depth 11mm
Door Thickness 15~20mm

Stainless Steel Mounting Plate 100 Series

CONCEALED HINGE (STAINLESS STEEL) 100



Picture above is the combination of concealed hinge and mounting plate (sold separately).

[Sold Separately]

- Stainless steel 100 series mounting plate 1

[Recommended Screws]

- M4 raised countersunk head screw

RoHS	CAD	Item Code	Item Name	Description	Material	Finish	Weight (g)	Box (pcs)
		160-073-875	100-46/14SUS304B	Without Catch	Stainless Steel	Polished	39.8	200
		160-073-880	100-C46/14SUS304B	With Catch	(SUS304)		44	200

A mounting plate (sold separately) is required for installation. Please order separately.

TORQUE HINGES

DAMPER HINGES

LIFT ASSIST HINGES

DETENT HINGES

CONCEALED HINGES

BUTT HINGES

PIANO HINGES

STEP HINGES

LIFT-OFF HINGES

PIVOT HINGES

SPRING HINGES

CLEAN ROOM HINGES

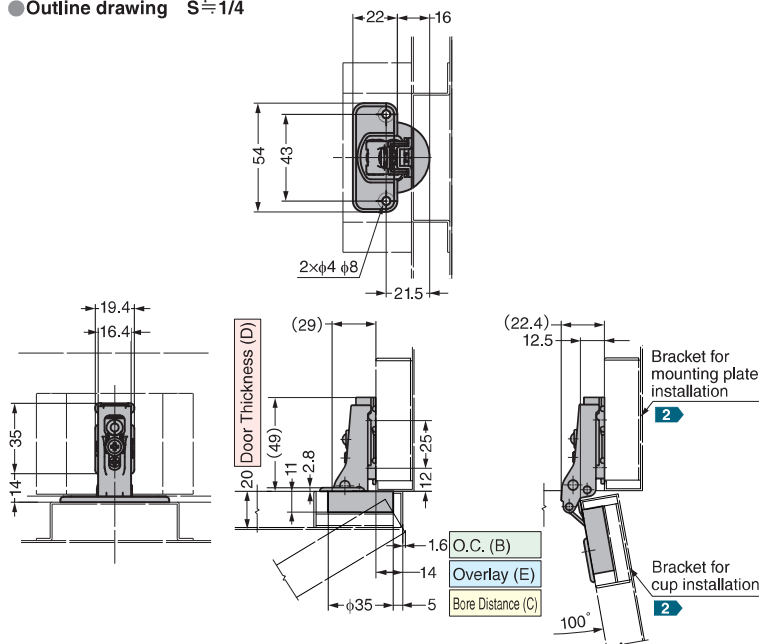
HINGES FOR ALUMINUM FRAME

DROP HINGES

GLASS DOOR HINGES

SPECIAL HINGES

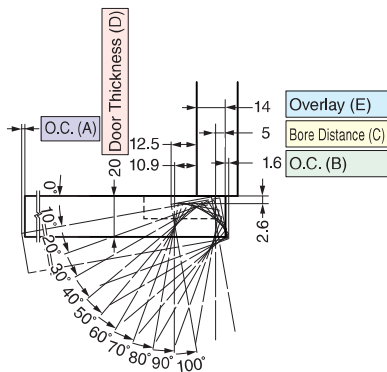
● Outline drawing S \approx 1/4



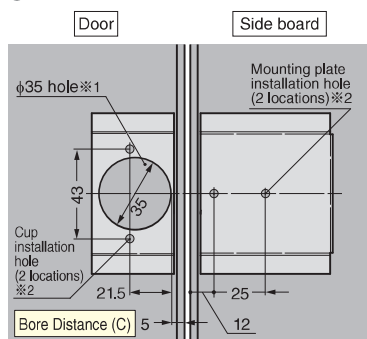
Picture above is the combination of 100-46/14 or 100-C46/14 (w/catch) and mounting plate 100-P3A (sold separately).

● Locus chart S \approx 1/4

(How to Use the Locus Chart 3)



● Cut out dimensions For metal door



- ※1: Support the cup bottom at position of 11mm deep.
- ※2: Internal threads need to be made by welding nut or burring.

[Bore Distance (C)]

Table-1

Bore Distance (C)	3	4	5
Overlay (E)	12	13	14

For standard type shown in the table above mounting plate 0mm thickness.

Turning the overlay adjustment screw or using spacer (2mm thickness) to adjust overlay (Max. -3mm).

[Opening Clearance (O.C.)]

Clearances for door edge O.C. (A) and hinge side O.C. (B) are necessary. O.C. (A) and (B) change depending on door thickness and bore distance (C). Refer to locus chart and tables below when designing cabinets.

[O.C.(B)]

Table-2

Door Thickness (D)	Bore Distance (C)		
	3	4	5
15	0.5	0.5	0.4
16	0.6	0.6	0.6
17	0.9	0.8	0.8
18	1.1	1.1	1.0
19	1.4	1.3	1.3
20	1.7	1.6	1.6
21※	2.1	2.0	1.9
22※	2.5	2.4	2.3
O.C. (B)			

※Please refer to the locus chart if door thickness is over 20mm. (O.C. (B) can be made smaller by R chamfering (round chamfer) and C chamfering (chamfer plane) on the door.)

[O.C.(A)]

Table-3

Door Thickness (D)	O.C. (A)			
	Door Width 300	Door Width 400	Door Width 500	Door Width 600
20	0.2	0.1	0.1	0.1

[Door Dimensions and Number of Hinges] 4

Refer to 1 : P.117, 2 : P.131, 3 : P.111, 4 : P.110

100° Opening

9mm Overlay

Overlay 5~9mm

Cup Dia φ35 Bore Depth 11mm Door Thickness 15~20mm

Stainless Steel Mounting Plate 100 Series

CONCEALED HINGE (STAINLESS STEEL) 100



[Sold Separately]

- Stainless steel 100 series mounting plate 1

[Recommended Screws]

- M4 raised countersunk head screw

RoHS	CAD	Item Code	Item Name	Description	Material	Finish	Weight (g)	Box (pcs)
CE	3D	160-073-883	100-46/9SUS304B	Without Catch	Stainless Steel (SUS304)	Polished	41.3	200
CE	3D	160-073-884	100-C46/9SUS304B	With Catch	Stainless Steel (SUS304)	Polished	45.9	200

A mounting plate (sold separately) is required for installation. Please order separately.

Picture above is the combination of concealed hinge and mounting plate (sold separately).

TORQUE HINGES

DAMPER HINGES

LIFT ASSIST HINGES

DETENT HINGES

CONCEALED HINGES

BUTT HINGES

PIANO HINGES

STEP HINGES

LIFT-OFF HINGES

PIVOT HINGES

SPRING HINGES

CLEAN ROOM HINGES

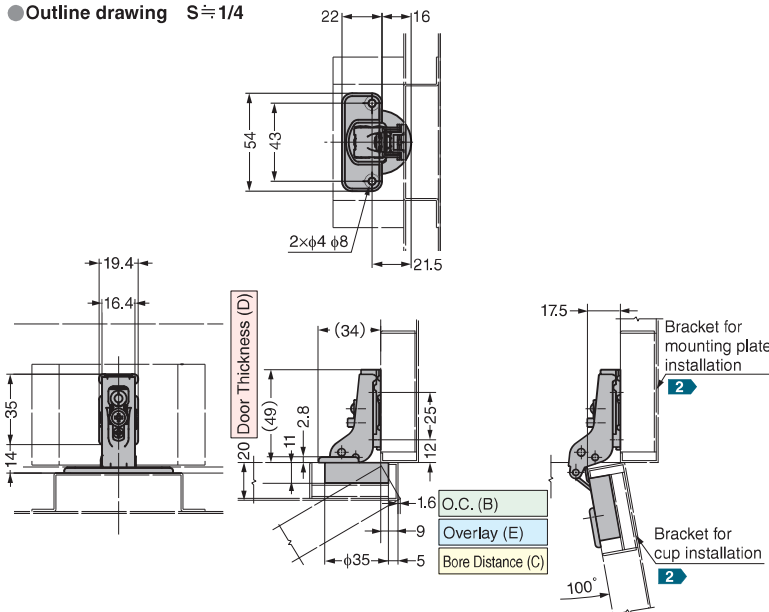
HINGES FOR ALUMINUM FRAME

DROP HINGES

GLASS DOOR HINGES

SPECIAL HINGES

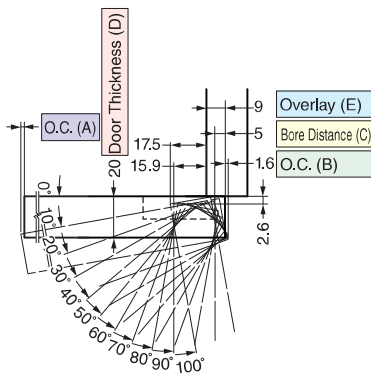
● Outline drawing S ≒ 1/4



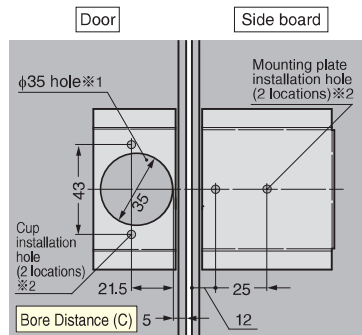
Picture above is the combination of 100-46/9 or 100-C46/9 (w/catch) and mounting plate 100-P3A (sold separately).

● Locus chart S ≒ 1/4

(How to Use the Locus Chart 3)



● Cut out dimensions For metal door



- ※1: Support the cup bottom at position of 11mm deep.
- ※2: Internal threads need to be made by welding nut or burring.

[Bore Distance (C)]

Table-1

Bore Distance (C)	3	4	5
Overlay (E)	7	8	9

For standard type shown in the table above mounting plate 0mm thickness.

Turning the overlay adjustment screw or using spacer (2mm thickness) to adjust overlay (Max. -3mm).

[Opening Clearance (O.C.)]

Clearances for door edge O.C. (A) and hinge side O.C. (B) are necessary. O.C. (A) and (B) change depending on door thickness and bore distance (C). Refer to locus chart and tables below when designing cabinets.

[O.C.(B)]

Table-2

Door Thickness (D)	Bore Distance (C)		
	3	4	5
15	0.5	0.5	0.4
16	0.6	0.6	0.6
17	0.9	0.8	0.8
18	1.1	1.1	1.0
19	1.4	1.3	1.3
20	1.7	1.6	1.6
21※	2.1	2.0	1.9
22※	2.5	2.4	2.3
O.C. (B)			

※Please refer to the locus chart if door thickness is over 20mm. O.C. (B) can be made smaller by R chamfering (round chamfer) and C chamfering (chamfer plane) on the door.

[O.C.(A)]

Table-3

Door Thickness (D)	O.C. (A)			
	Door Width 300	Door Width 400	Door Width 500	Door Width 600
20	0.2	0.1	0.1	0.1

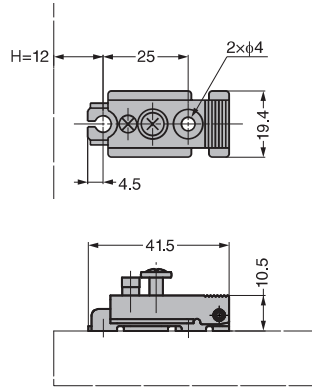
[Door Dimensions and Number of Hinges] 4

Refer to 1 : P.117, 2 : P.131, 3 : P.111, 4 : P.110

STANDARD TYPE

STAINLESS STEEL MOUNTING PLATE 100-P3A-SUS304B

SUS



- Overlay adjustable.
- Standard height: 0mm
- Value of H: Door thickness + 17mm in use of INSET type (Door thickness + 12mm in use of INSET type of H160 or 170 hinge).

[Recommended Screws]

- M4 binding head screw

RoHS	CAD	Item Code	Item Name	Material	Finish	Weight (g)	Box (pcs)
G	3D	160-074-155	100-P3A-SUS304B	Stainless Steel (SUS304)	Barrel Polished	21.3	400

TORQUE HINGES

DAMPER HINGES

LIFT ASSIST HINGES

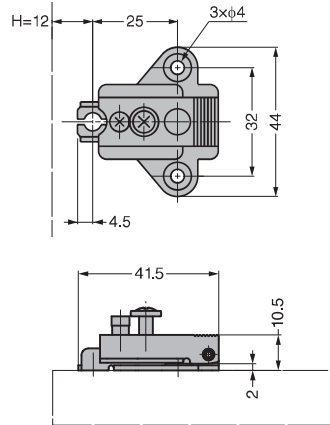
DETENT HINGES

CONCEALED HINGES

SYSTEM 37, 32 TYPE

STAINLESS STEEL MOUNTING PLATE 100-P4A-32-SUS304B

SUS



- Overlay adjustable.
- Standard height: 0mm
- Value of H: Door thickness + 17mm in use of INSET type (Door thickness + 12mm in use of INSET type of H160 or 170 hinge).

[Recommended Screws]

- M4 binding head screw

RoHS	CAD	Item Code	Item Name	Material	Finish	Weight (g)	Box (pcs)
G	3D	160-074-149	100-P4A-32-SUS304B	Stainless Steel (SUS304)	Barrel Polished	26	400

BUTT HINGES

PIANO HINGES

STEP HINGES

LIFT-OFF HINGES

PIVOT HINGES

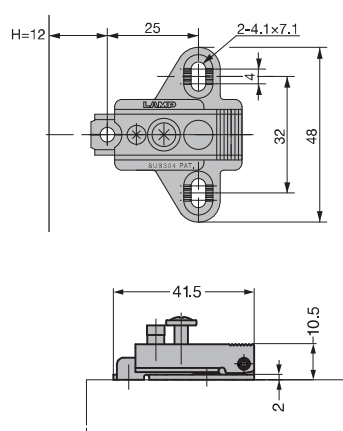
SPRING HINGES

CLEAN ROOM HINGES

HINGES FOR ALUMINUM FRAME

STAINLESS STEEL MOUNTING PLATE 100-P4A/32-3WAY-SUS304B

SUS



- Overlay adjustable.
- Standard height: 0mm
- Value of H: Door thickness + 17mm in use of INSET type (Door thickness + 12mm in use of INSET type of H160 or 170 hinge).

[Recommended Screws]

- M4 binding head screw

RoHS	CAD	Item Code	Item Name	Material	Finish	Weight (g)	Box (pcs)
G	3D	160-079-044	100-P4A/32-3WAY-SUS304B	Stainless Steel (SUS304)	Barrel Polished	40	400

DROP HINGES

GLASS DOOR HINGES

SPECIAL HINGES