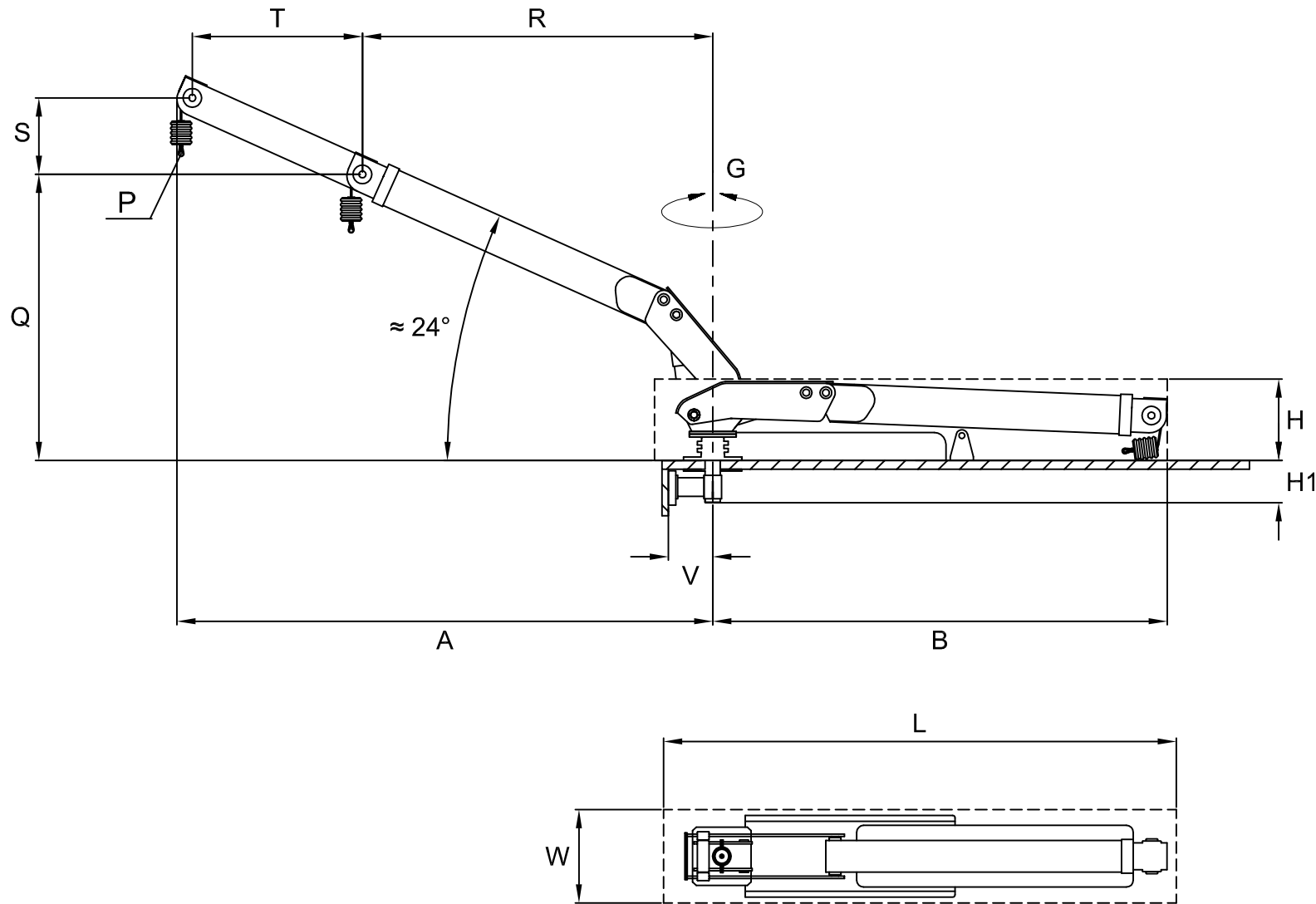


Lifting capacity (Kg)	250	400
A (mm)	2235	2800
B (mm)	1950	2450
G (°)	270	90
H (mm)	350	380
H1 (mm)	185	185
L (mm)	2200	2800
P (mm)	2000	2250
Q (mm)	1120	1100
R (mm)	1505	1950
S (mm)	330	330
T (mm)	730	730
V (mm)	190	190
W (mm)	400	450
Weight (Kg)	210	320



Product

G 407

Hydraulic Crane