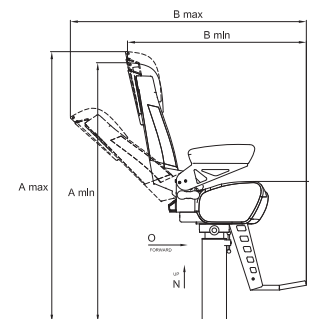
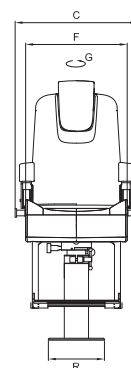




For over 50 years Besenzoni has been constantly serving and assisting its clients in 90 countries qualifying as one of the flagship companies of the Made in Italy in the world. A capillary network for direct assistance consisting more than 160 unities of assistance worldwide, ensures rapid and immediate support not only during warranty period but also throughout the whole product's life.



A mm	1390-1450*
B mm	960-1265
C mm	660
D mm	755
F mm	545
G (°)	90+90
N mm	190
O mm	65
R mm	ø300

Helm seat P 257 Sea Star

- Helm seat with manual movements
- Standard vinyl fabric upholstery or genuine leather
- As alternative, we can cover the seat using the client's fabric
- Manual adjustment of seat height with gas springs and backrest rake
- Helm seat installed on powder coated aluminum support
- Manual rotation 360°
- Manual fold up and broad footrest
- Flip armrests
- Polished or coated stainless steel plates
- Optional: custom logo embroidery and diamond stitching

DISCOVER MORE
HELM SEATS AT:



INFO@BESENZONI.IT
WWW.BESENZONI.IT

