



## Jack 1 Downlight

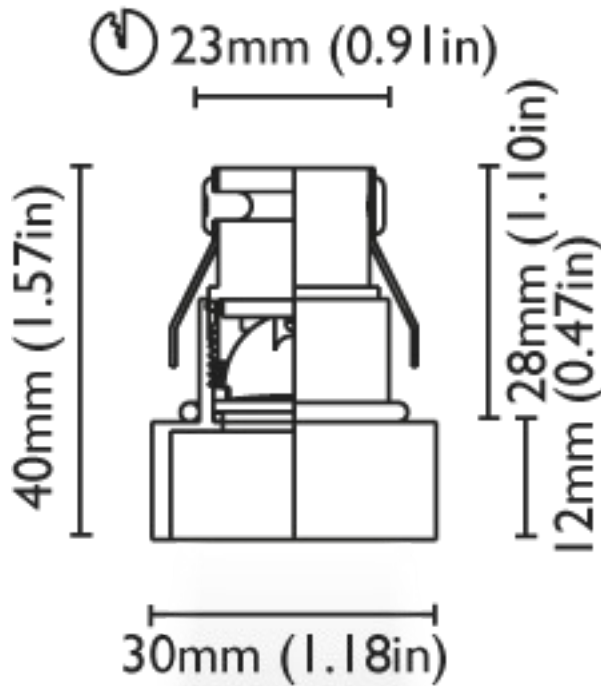
The Jack 1 is a fixed downlight ideal for ceiling or path lighting.

With a round frame in various sized diameters, all with a large variety of finishes to choose from. The inside part is white lacquered with a white frame, black lacquered with other frame finishes.

- Finishes: White, black, polished chrome, satin chrome, and polished brass
- Material: Brass body, aluminum heatsink
- Size diameters: 30mm, 50mm, 70mm, 90mm and 110mm
- Installation: 30mm Band spring mounted. 50, 70, 90 & 110mm wire spring mounted
- Dimmable
- LED colour temperature: 3000K
- IP Rated: IP165 suitable Internal, external or wet locations
- SKU: GM- Jack 1



## I x max IW



### UPON REQUEST:

Outer ring can be upholstered in leather or fabric to match your ceiling lining.

LED Colour Temperature; 2700K, 6000K, Blue or Red.

Finishes: polished nickel, satin nickel, satin nickel matt, polished black nickel, satin black nickel, satin brass, satin brass matt, 24KT gold brass, satin gold matt, burnished brass, burnished brass matt, polished copper, polished copper matt

