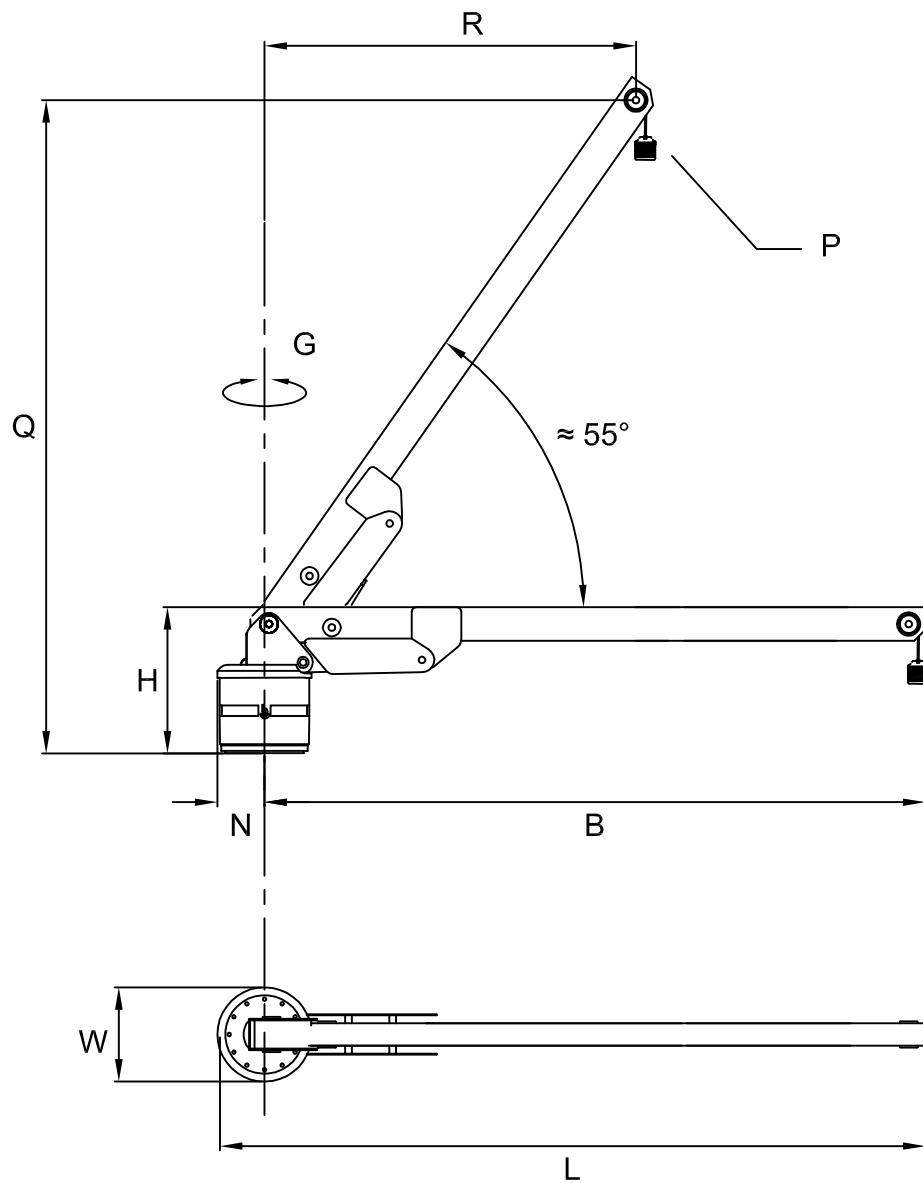


Lifting capacity (Kg)	400
B (mm)	2910
G (°)	180 or 270
H (mm)	650
L (mm)	3155
N (mm)	210
P (mm)	5500
Q (mm)	2910
R (mm)	1655
W (mm)	Ø 420
Weight (Kg)	360

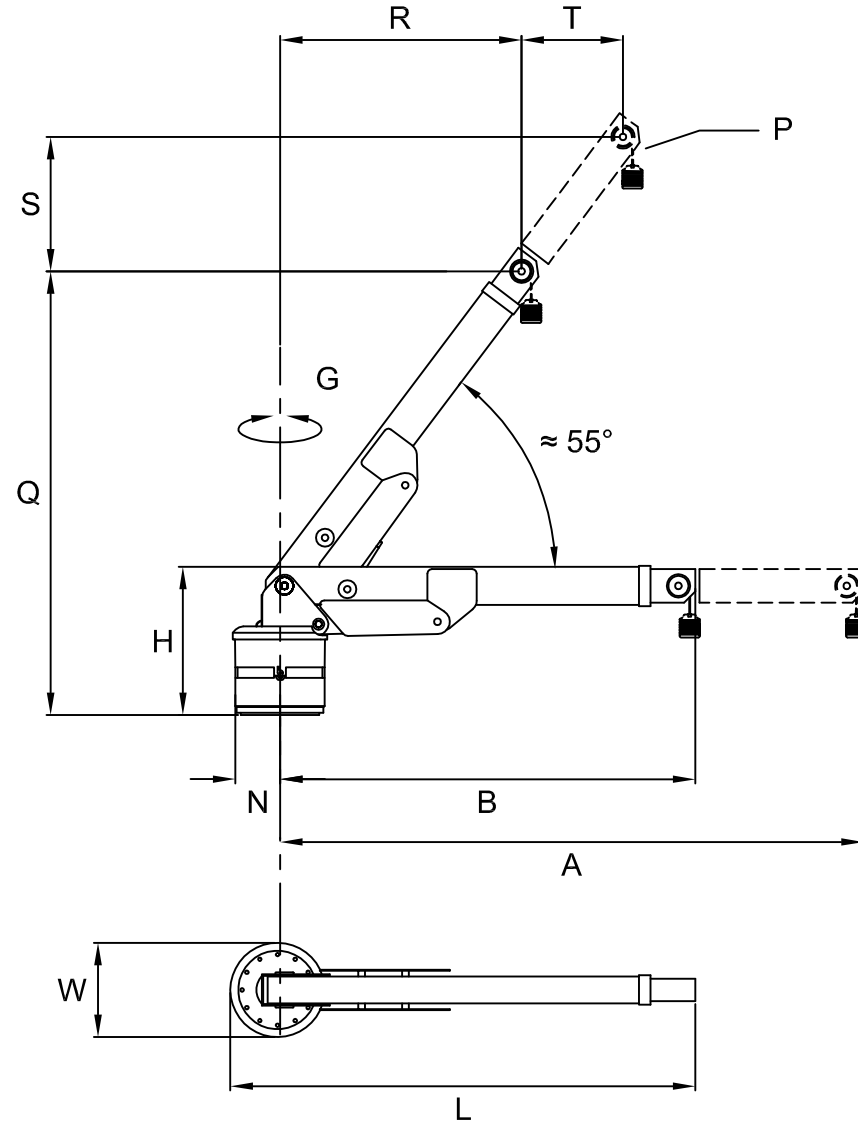


Product

**G 340**

**Hydraulic Crane**

Lifting capacity (Kg)	400
A (mm)	2570
B (mm)	1825
G (°)	180 or 270
H (mm)	660
L (mm)	2070
N (mm)	210
P (mm)	2700
Q (mm)	1980
R (mm)	1080
S (mm)	600
T (mm)	450
W (mm)	∅ 420
Weight (Kg)	400



Product

**G 341**

**Hydraulic Crane**