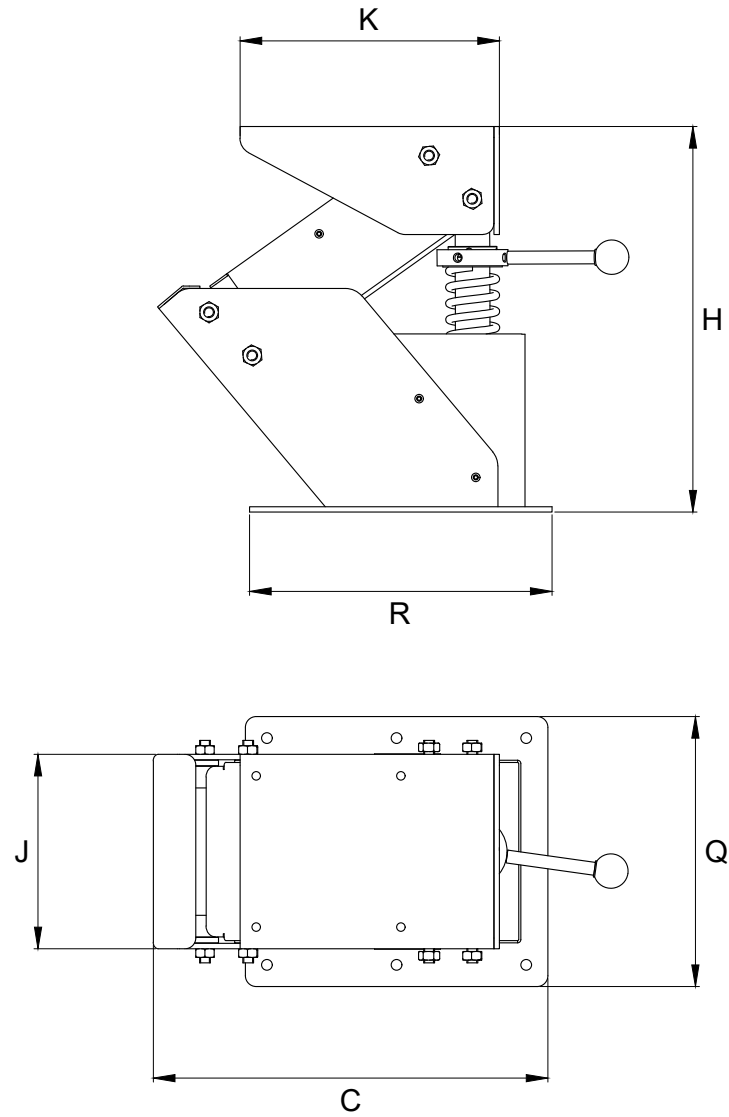


C (mm)	365
H (mm)	≈ 360
J (mm)	180
K (mm)	240
Q (mm)	250
R (mm)	280
Weight (Kg)	32



Product

S 350 F

Shock Mitigated

C (mm)	365
H (mm)	≈ 360
J (mm)	180
K (mm)	240
Q (mm)	250
R (mm)	280
Weight (Kg)	32

