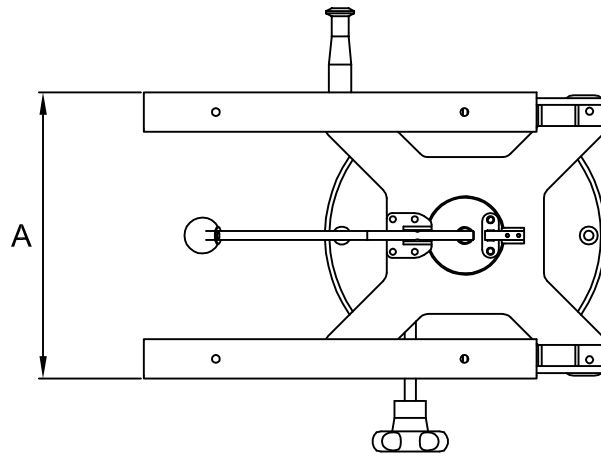
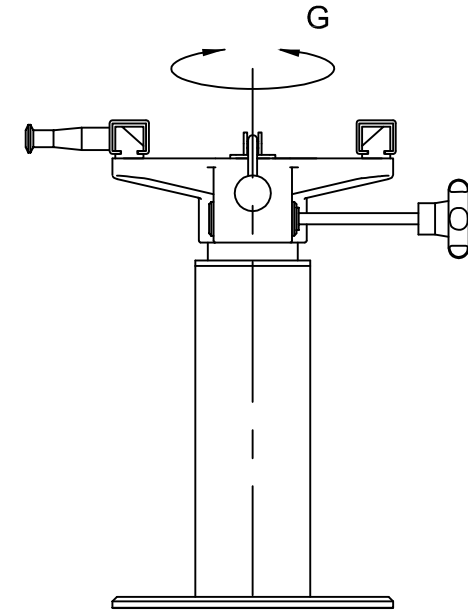
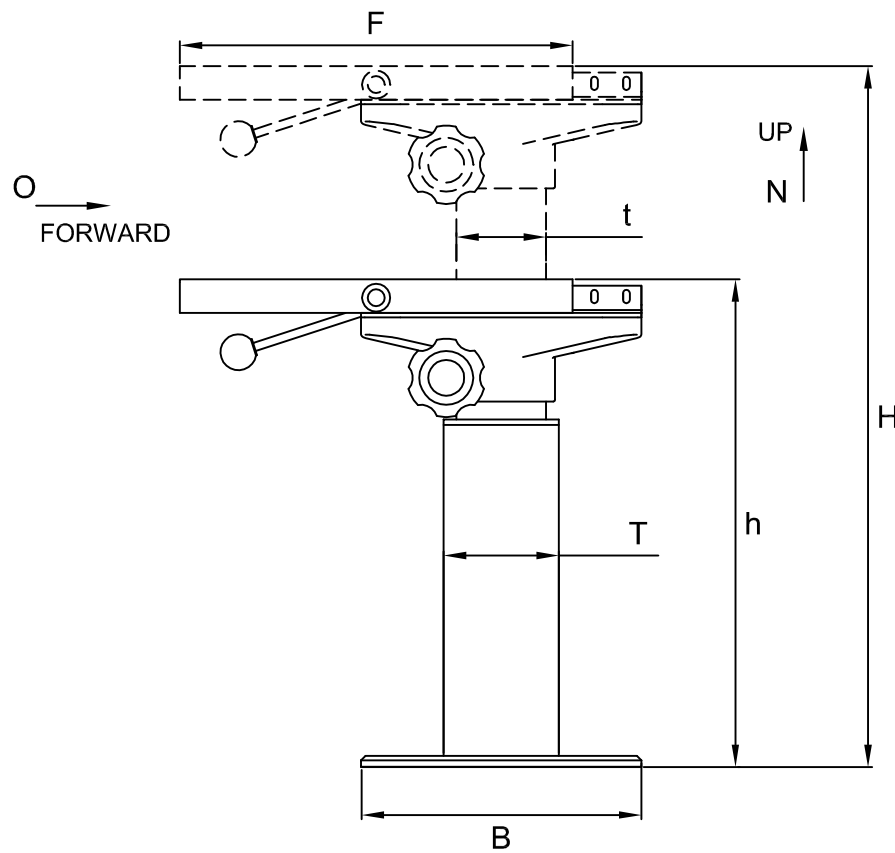


A (mm)	255
B (mm)	Ø 250
F (mm)	350
G (°)	± 290°
h (mm)	435
H (mm)	625
N (mm)	190
O (mm) (115 x 2)	230
t (mm)	Ø 80
T (mm)	Ø 103
Weight (Kg)	15



Product

S 315

Manual Helm Seat Pedestal