



5185 Prometeo QRG

The Prometeo QRG spotlight is the largest in the Prometeo frame-less range. The Nichia™ LED chip produces a very high quality LED output with an average colour rendering index of 95. The spotlight is waterproof from both the front and rear and is available in various lens angles and colour temperatures.

- Interior & exterior spotlight with frame-less design
- Galvanised brass face, painted
- Tempered glass lens
- Anodised aluminium heatsink
- Multiple lens angles available
- Available in numerous white colour temperatures as well as red
- CRI>90 Weight (kg) 0.21
- Manufacturer Foresti & Suardi
- Installation Recessed
- Light Element Type Power LED
- Wattage 5W
- CRI >90
- Input Voltage 10-30Vdc
- IP Rating IP65
- Dimmer Yes
- Bezel Size (mm) 72.00 x 72.00
- Cut-out Size (mm) 72.00 x 72.00
- Depth (mm) 55.00
- Finish Black



Heat Dissipation

Heat dissipation is key to the performance and longevity of LED lighting. Our Power LED modules have been carefully designed to ensure that the heat is taken away from the LED chips and dissipated through the incorporated heat sink designed into the product housing.

Circuit board temperatures are closely monitored during the development phase of each product and appropriate heat dissipation can then be accurately calculated to ensure that product will continue to perform for many years.

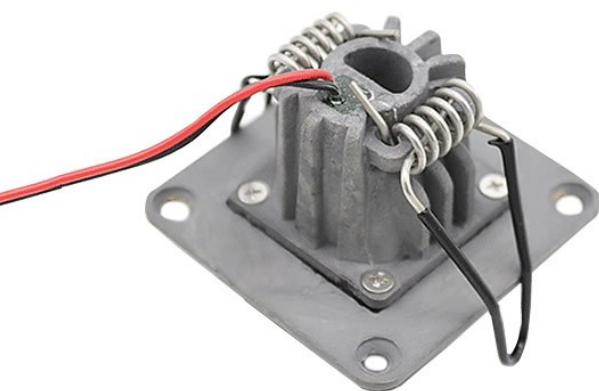
Power Regulator

The 10-30Vdc power regulator is always a remote item on the power cable of the fitting. This offers numerous advantages over alternative methods used by competitor brands. Keeping the power regulator separate reduces heat build-up on the LED circuit board and therefore increases performance and longevity of the LEDs.

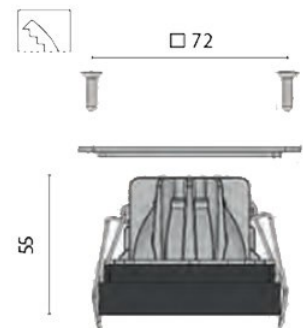
Remote regulators can also be easily removed so that the product can be powered directly with the correct amperage, very useful for integration in some mains voltage applications.

Simple Frame-less Installation

The separate FS SYSTEM aluminium backing plate makes installation easy and swift. The backing plate can be screwed to the back side of the installation panel, allowing the frame-less fitting to click into place from the front. No need to pre-wire panels or fit lights in advance. Maintenance is also quick and easy, a special key allows the fitting to be removed from the front without the need to remove ceiling panels.



Power LED



Power Led

