



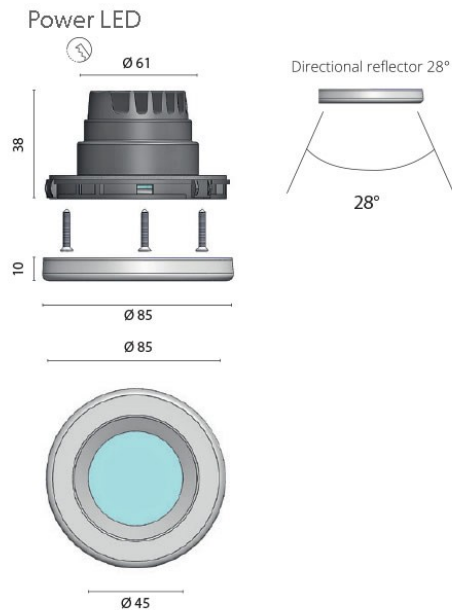
6003 Aquarius Spotlight - Narrow Beam

The Aquarius I spotlight is designed for particular applications where a powerful and focused beam is required. It is ideal for use as a worklight or in hazardous locations to brightly illuminate an area. The 28° narrow lens angle ensures that very little of the luminaire's output is lost but instead it is all thrown outwards away from the fitting. A recorded 355 Lux at 1m distance from a 3.6 Watt module demonstrates the intended effect perfectly. The luminaire is suitable for exterior application and features a 316 grade stainless steel bezel in either a polished or white RAL 9010 finish.



GINEICO

- 3.6 Watt Power LED with 4000°K white output
- 28° narrow beam
- Powerful output is ideal for use as a worklight
- Dimmable
- Weight (kg) 0.18
- Manufacturer Foresti & Suardi
- Installation Recessed
- Light Element Type Power LED
- Lens Angle 28°
- Lux Level at 1 Metre 355.00
- Lumens 128.00
- Lumens Per Watt (Lm) 35.50
- Wattage 3.6W
- LED Colour White 4000°K
- CRI >80.00
- Input Voltage 10-30Vdc
- IP Rating IP65
- Dimmer Yes
- Bezel Size (mm) Ø85.00
- Cut-out Size (mm) Ø61.00
- Depth (mm) 38.00
- Finish White RAL 9010



G45, 76-84 WATERWAY DRIVE COOMERA, QUEENSLAND, 4209, AUSTRALIA

PHONE: (+61) 7 5556 0244

EMAIL: SALES@GINEICOMARINE.COM.AU

WWW.GINEICOMARINE.COM.AU

