



## **18INOX**

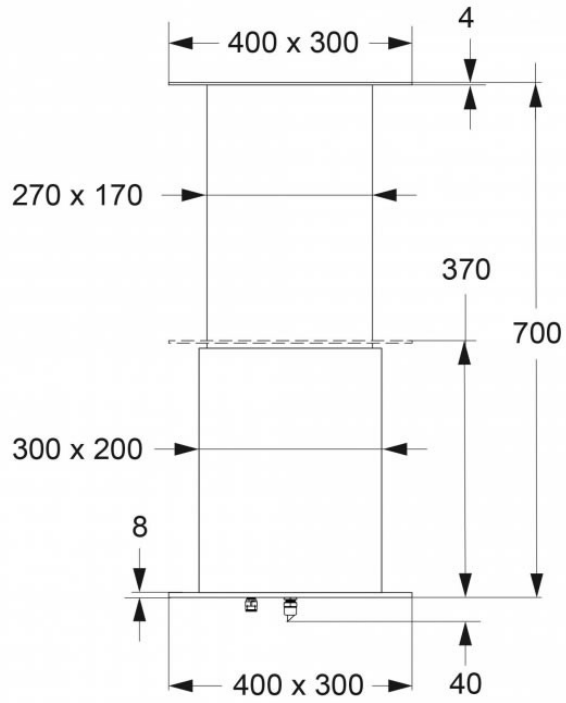
### **Telescopic electric table pedestalsion**

Built in polished stainless steel

- The generous size of the tubes and bases makes it ideal for tables of large size.
- Powered with 12V-10A or 24V-5A (on request) - Push 100 Kg - Speed 16 mm/sec - stroke 330 mm.
- The electric movement can be stopped in any position - Electronic control box included.
- Only the power supply cable and the water drainage hose (when installed outdoor) goes through the floor.
- Operated with a 3 position switch (not supplied) (UP - DOWN and automatic return to zero).
- The switch doesn't need to reverse the polarity as the power doesn't flow through it.
- Supplied with electronic control box



# GINEICO



CONTROL BOX



G45, 76-84 WATERWAY DRIVE COOMERA, QUEENSLAND, 4209, AUSTRALIA

PHONE: (+61) 7 5556 0244

EMAIL: SALES@GINEICOMARINE.COM.AU

WWW.GINEICOMARINE.COM.AU