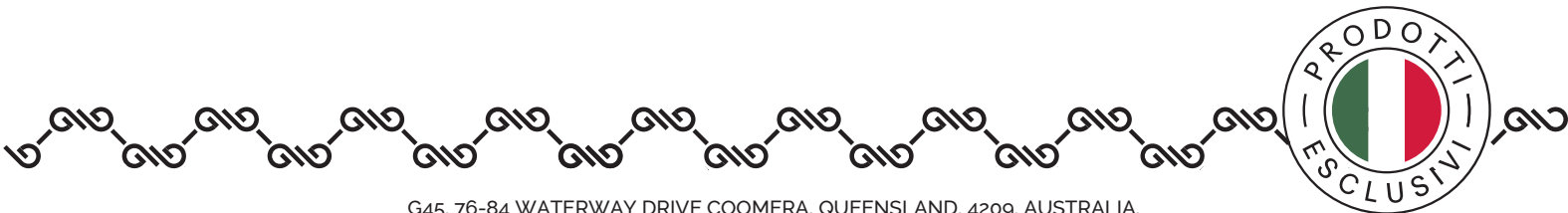




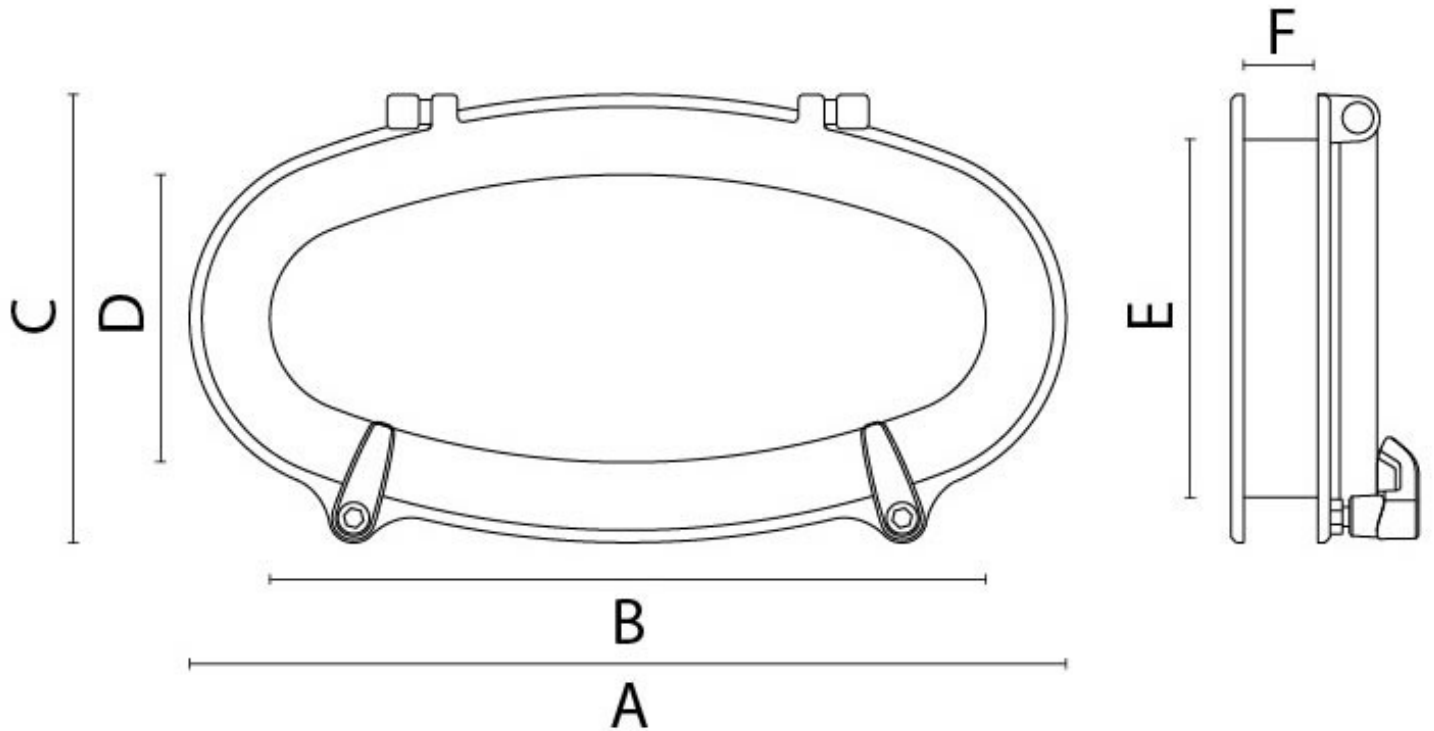
912 Aluminium portlights


- All our portlights are cast from an anodised light aluminium alloy. A special adjustable friction system allows for an almost infinite variation of open positions and locking is via a pair of rotating handles.
- A simple design allows the portholes to be fitted to hulls of varying thicknesses from 20 mm to 45 mm\ with the added advantage of having no screws or rivets visible on the exterior frame.
- A marine grade neoprene seal guarantees watertightness in all conditions and the 7 mm thick PMMA
- Perspex is supplied in a standard smoke grey colour.
- A removable white plastic mosquito net is available as an option.
- Spigot: Ø 233 mm





GINEICO



	A (mm)	B (mm)	C (mm)	D (mm)	E (mm)	F (mm)		Dim. (mm)
912A	360	290	185	115	165 x 338	20/45	912A.Z	290 x 115
912B	460	395	205	155	193 x 440	20/45	912B.Z	395 x 140
912C	540	465	235	165	213 x 520	20/45	-	-



G45, 76-84 WATERWAY DRIVE COOMERA, QUEENSLAND, 4209, AUSTRALIA.

PHONE: (+61) 7 5556 0244

EMAIL: SALES@GINEICO.COM

WWW.GINEICOMARINE.COM.AU