



## **5721 Andromeda 1**

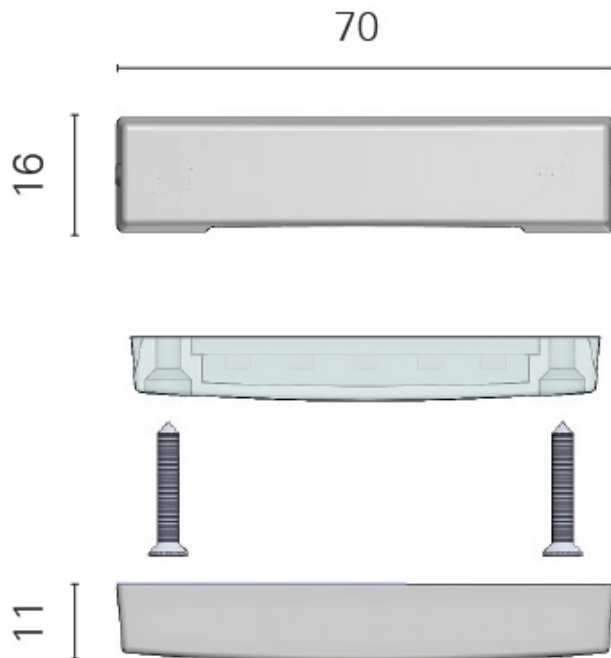
Exterior courtesy lights, clear techno-polymer body, brass ring with galvanic treatment.





# GINEICO

- Dimensions: 70 x 16 mm
- Height: 11 mm
- Finish: C.Chomed
- VDC:10/30
- Watt:1.2
- Dimmer:6018



G45, 76-84 WATERWAY DRIVE COOMERA, QUEENSLAND, 4209, AUSTRALIA

PHONE: (+61) 7 5556 0244

EMAIL: SALES@GINEICOMARINE.COM.AU

WWW.GINEICOMARINE.COM.AU